

TeraStation WSS

Buffalo TeraStation™ WSS 5000 4 Bay with Windows® Storage Server 2012

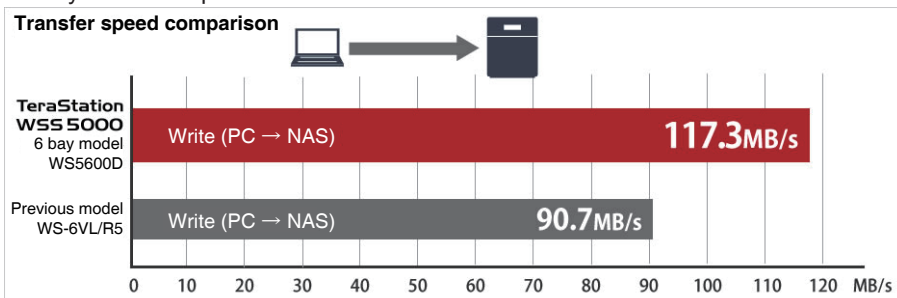
BUFFALO™

WS5400D

TeraStation™ WS5400D brings you the power of Windows® Server OS and Intel® Atom™ Dual-Core Processor in a 4-bay form factor. The TeraStation™ WS5400D is powered by the Microsoft Windows® Storage Server 2012 Workgroup Edition, providing seamless integration with all Windows® computers and servers.

■ Intel® Atom™ Dual-Core Processor & DDR3 memory

The TeraStation™ WSS 5000 Series is equipped with Intel® Atom™ Dual-Core Processor, 4GB DDR3 memory, and USB 3.0, maximizing the data transfer speed to support large data transfers and multiple data transfers which occurs constantly in daily business operations.



*Test conducted by Buffalo on December 2012.

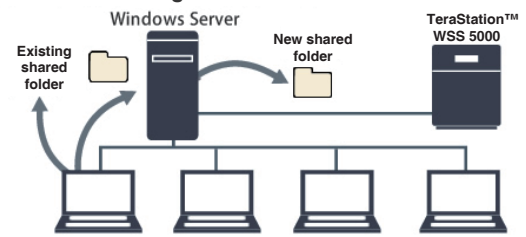
<Devices> [PC] Motherboard: Intel DH77KC (PU-0015), Chipset: Intel H77, BIOS: KCH7710H.86A.0095.2012.0608.1754, CPU: Intel Core i3 2100, Memory: DDR3-1600 2GB, System: 64bit OS, Gigabit Ethernet: Intel 82579V Gigabit Network Connection, HDD: Seagate ST131000DM003 x2 RAID, OS: Windows 7 x86 Professional SP1 [NAS] WS5600D, WS-6VL/R5
<Measurement Method> Connected WS5600D and WS-6VL/R5 to PC by LAN and mounted as network drive, then ran five tests using NASPT Ver.1.71. Above value has been taken from the average of three test results, excluding maximum and minimum value. Measured values were obtained in a specific test environment; this does not necessarily guarantee similar results can be achieved in all operating environments.



■ Expand your existing server's storage capacity with iSCSI

The TeraStation™ WSS 5000 Series can be used as an iSCSI storage array, allowing you to expand the storage space of your existing server. Since this can be done through the LAN network, installation location can be flexible.

Add-on to existing file server



■ Provides 3 years warranty

Buffalo's original corporate model quality standard requires selection of highly reliable parts and strict product development, pursuing for product's durability and longevity. As a result, Buffalo is able to provide 3 years warranty on this TeraStation™ WSS 5000 Series.

Parts selected under strict quality standard



Original board designed from Buffalo's Japanese corporate model standard



Features

- Dual Core Intel® Atom™ Processor D2550 1.86GHz
- Windows® Storage Server 2012 Workgroup Edition
- iSCSI Target and Initiator
- Front loading hot swap hard drives with lockable front panel
- Active Directory support
- Disk quota (soft quota) support prevents users/groups from consuming too much disk space
- Scheduled shut down eliminates unnecessary access and reduces energy costs
- DFS (Distributed File System), Namespace & Replication support
- 10/100/1000 Mbps Gigabit Ethernet with Jumbo Frame
- 2 Ethernet ports for port trunking
- Works with VMware and Hyper-V (SAN Storage for Virtual Machines)
- Supported RAID levels: JBOD, RAID 0/1/5
- Large quiet fan cools hard drive efficiently
- LCD Display shows important TeraStation information and disk status
- 2 USB 3.0 ports and 2 USB 2.0 ports for external drive, printer and UPS connectivity
- 3 years limited warranty

WS5400D

Specifications

Hardware

CPU	Dual Core Intel® Atom™ Processor D2550 1.86GHz
RAM	4GB DDR3

Software

OS	Windows® Storage Server 2012 Workgroup Edition
Connection Limit	Up to 50 connections

Internal Hard Drives

Drive Interface	SATA(II) 3Gbps
Number of Bays	4
Hard Drive Capacities	1TB, 2TB, 3TB
Total Capacities	4TB, 8TB, 12TB
Supported RAID Levels	JBOD, RAID 0/1/5

LAN Interface

Standard Compliance	IEEE 802.3ab/IEEE 802.3u/IEEE 802.3
Link Speed	10/100/1000 Mbps with Jumbo Frame
Connector Type	RJ-45
Number of LAN Ports	2

USB Interface

Standard Compliance	USB 3.0/2.0
Number of Ports	2 x USB 3.0/2 x USB 2.0
Data Transfer Rate	5Gbps USB 3.0/480Mbps USB 2.0 (theoretical value)

Serial Port

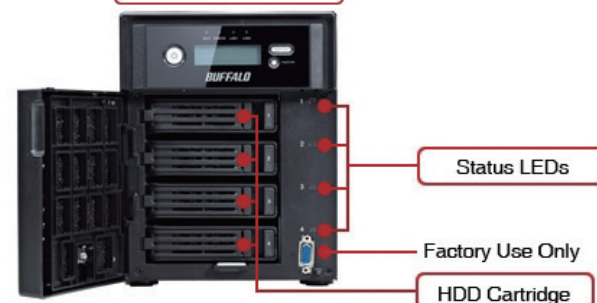
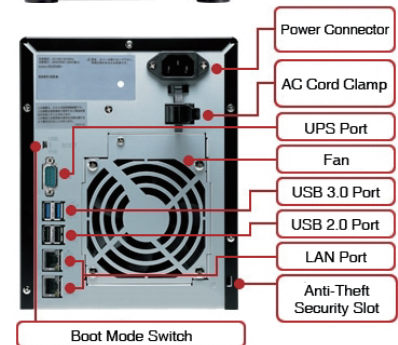
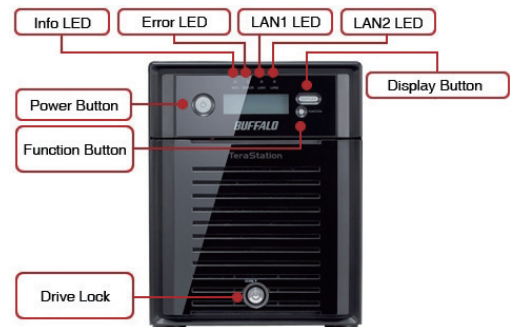
Connector Type	D-SUB 9pin
Number of Ports	1

Protocol Support

Networking	TCP/IP
File Sharing	CIFS/SMB, FTP/SFTP/FTPS, NFS
Directory Integration	LDAP, Active Directory
Management	Remote Desktop Protocol (RDP), Terminal Services Client
Time Synchronization	NTP

Others

Dimensions (W x H x D)	170 x 215 x 230mm
Weight	7.5kg
Power Supply	Internal, AC 100-240V 50/60Hz
Power Consumption	Max. 86W
Operating Environment	Temperature: 5 - 35°C, Humidity: 20 - 80% (non-condensing)
Supported Client OS	Windows® 8 (32/64bit), Windows® 7 (32/64bit), Windows Vista™ (32/64bit), Windows® XP, Windows Server® 2008, Windows Server® 2003, Windows® 2000 Server, Mac OS® X 10.4 and above



About BUFFALO

www.buffalo-asia.com

BUFFALO Inc., based in Nagoya, Japan, is a leading global provider of award-winning networking, storage and multi-media solutions for the home and small business environments as well as for system builders and integrators. With three decades of networking and computer peripheral experience, BUFFALO has proven its commitment to delivering innovative, best-of-breed solutions that have put the company at the forefront of infrastructure technology.